



CONSTRUCTION SOLUTIONS



GETTING THE JOB DONE

SAFELY

At ECCO, we appreciate just how dangerous the construction industry can be. And we're not just talking about working on high buildings on scaffolding, large amount of exposed electrical wiring, safely handling machinery and tools or hazardous chemicals and minerals like asbestos. We are talking about the inherent danger of operating and working around large construction equipment used to move heavy materials.

Construction sites provide some of the noisiest working conditions in the business. From early in the morning until late in the evening, workers have to be on constant alert for moving objects, working at height, falling or tripping and other potentially deadly hazards. Not only that, but construction sites can usually be found in high-traffic areas that involve speeding cars and inattentive drivers.

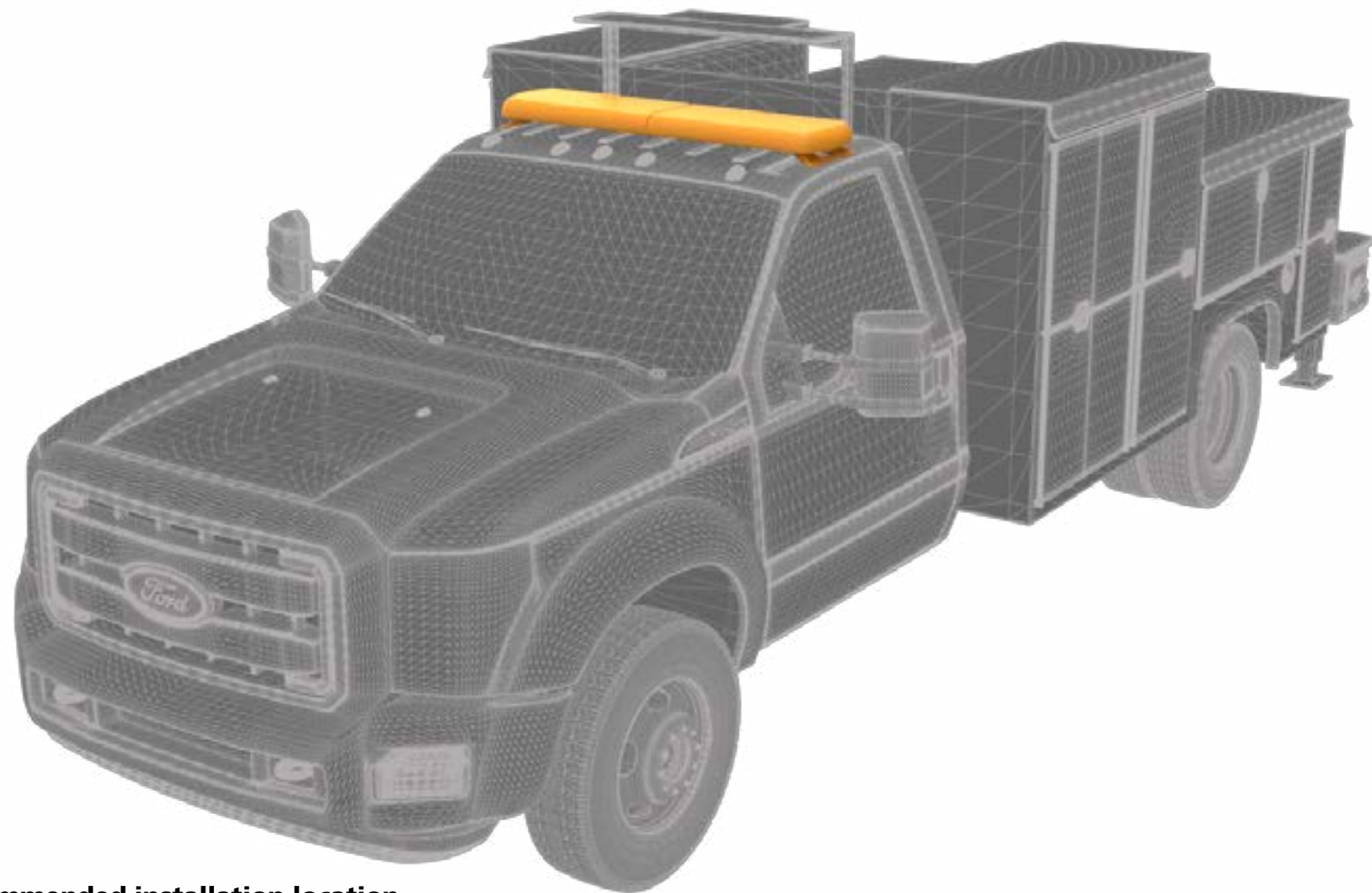
ECCO offers an extensive line of safety solutions that are ideally suited for all construction sites and vehicles. Our high-intensity LED warning lights notify vehicles and other site workers of a potential hazard, while our range of worklamps ensures that you can see clearly, even in the lowest visibility situations. ECCO's reversing safety solutions include a variety of back-up alarms including multi-frequency alarms and Smart Alarms suitable for any construction site. To aid with visual impairments caused by large equipment, ECCO offers a fully-integrated line of camera systems that will make operating heavy-duty vehicles safe and stress-free. We make it our job to offer warning equipment to help minimize the risk of personal injury as well as property damage.

Read on to learn about specially selected products for construction equipment, large and small.



LIGHTBARS

CONSTRUCTION SOLUTIONS



Recommended installation location

12 Series **VANTAGE**

SAE Class I LED Lightbar



- 48"** # 12-00001-E
- C Amber
- T 16 LEDs
- V 12-24
- A 7.2
- ☑ SAE J845 Class I, California Title 13, CE, R10
- 🕒 3 Year



- 54"** # 12-00002-E
- C Amber
- T 16 LEDs
- V 12-24
- A 7.2
- ☑ SAE J845 Class I, California Title 13, CE, R10
- 🕒 3 Year



- 60"** # 12-00003-E
- C Amber
- T 16 LEDs
- V 12-24
- A 7.2
- ☑ SAE J845 Class I, California Title 13, CE, R10
- 🕒 3 Year

14 Series **AXIOS**

SAE Class I Modular LED Lightbar



- 48"** # 14-00001-E
- C Amber
- T 12 LEDs, 2 WL, 2 AL
- V 12-24
- A 14.4
- ☑ SAE J845 Class I, Cal. Title 13, R65, R10
- 🕒 5 Year



- 48"** # 14-00006-E
- C Amber
- T 12 LEDs, 1 Safety Director
- V 12-24
- A 13.3
- ☑ SAE J845 Class I, Cal. Title 13, R65, R10
- 🕒 5 Year



- 54"** # 14-00002-E
- C Amber
- T 12 LEDs, 2 WL, 2 AL, 2 STI, 1 Safety Director
- V 12-24
- A 17.5
- ☑ SAE J845 Class I, Cal. Title 13, R65, R10, R6 & R7
- 🕒 5 Year

21 Series

SAE Class I LED Lightbar



- 22"** # 21-00001-E
- C Amber
- T 4 LEDs
- V 12
- A 2.0
- ☑ SAE J845 Class I, Cal. Title 13
- 🕒 5 Year



- 47"** # 21-00005-E
- C Amber
- T 16 LEDs, 2 AL, 2 WL, 6 Module Safety Director
- V 12
- A 12.0
- ☑ SAE J845 Class I, Cal. Title 13
- 🕒 5 Year



- 52"** # 21-00009-E
- C Amber
- T 16 LEDs, 6 Module Safety Director
- V 12
- A 8.0
- ☑ SAE J845 Class I, Cal. Title 13
- 🕒 5 Year

AVAILABLE COLORS (12, 14, & 21 Series)

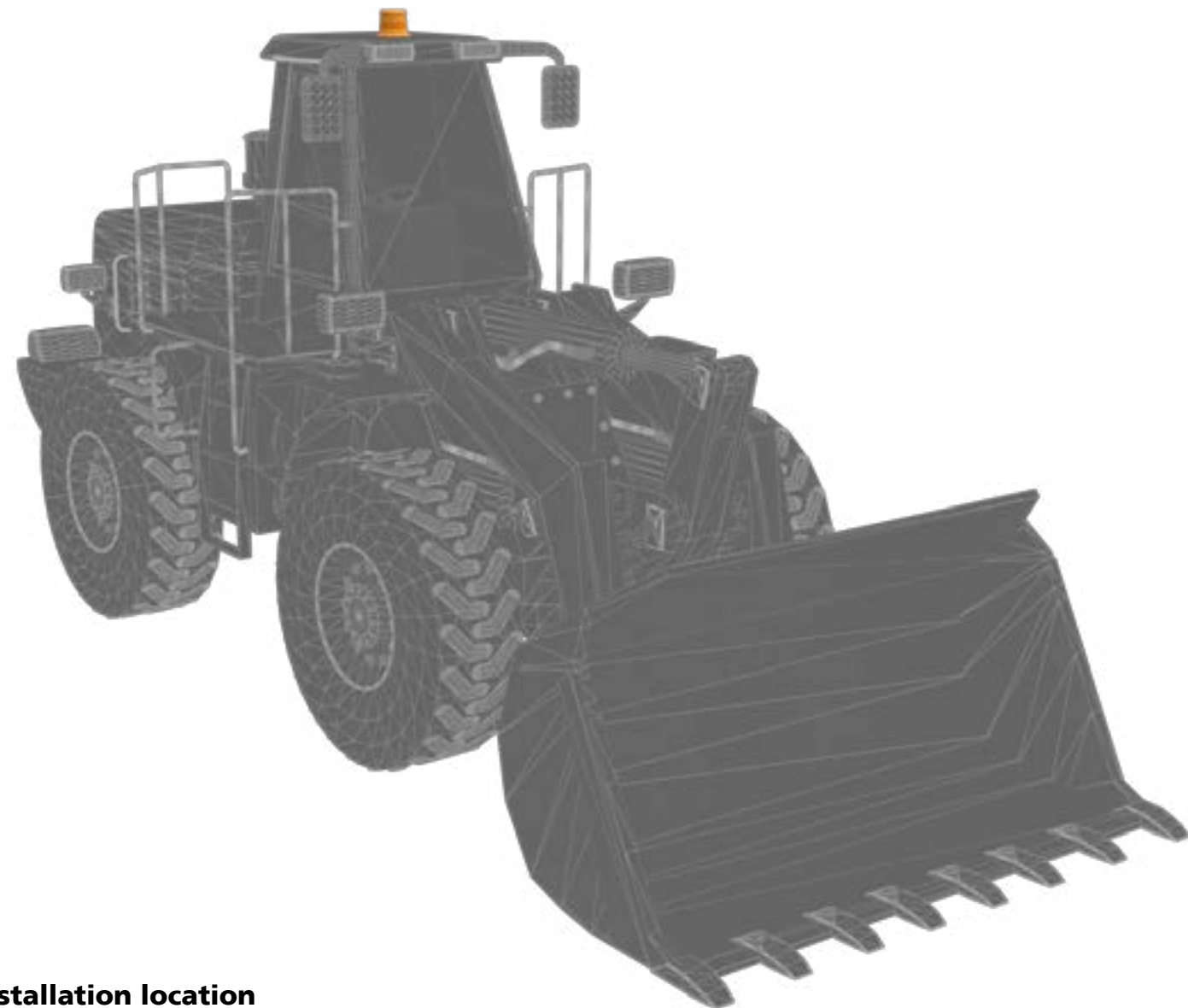
Amber, Blue, Clear, Green & Red



Custom configurations available

360° WARNING

CONSTRUCTION SOLUTIONS



Beacons



7945A/7965A
C Amber
V 12-24
A 3.6
 X 3 Bolt / 1" Pipe
 SAE J845 Class I, CE, R10
 2 Year



7950A/7970A
C Amber
V 12-24
A 3.6
 X 3 Bolt / 1" Pipe
 SAE J845 Class I, CE, R10
 2 Year



EB7180A
C Amber
V 12-24
A 6.2
 X 3 Bolt / 1" Pipe
 SAE J845 Class I, Cal. Title 13, R10, IP55, AMECA
 3 Year



EB7180A-VM
C Amber
V 12-24
A 6.2
 X Vacuum-Magnet
 SAE J845 Class I, Cal. Title 13, R10, IP55, AMECA
 3 Year



EB7930A
T Severe Vibration
C Amber
V 12-48
A 1.3
 X 3 Bolt / 1" Pipe
 SAE J845 Class II, CE, R10
 2 Year



EB7935A
T Severe Vibration
C Amber
V 12-48
A 1.3
 X 3 Bolt / 1" Pipe
 SAE J845 Class II, CE, R10
 2 Year



EB7185A *Dual-color*
C Amber
V 12-24
A 8.6
 X 3 Bolt / 1" Pipe
 SAE J845 Class I, Cal. Title 13, R10, IP55, AMECA
 3 Year



EB7185A-VM *Dual-color*
C Amber
V 12-24
A 8.6
 X Vacuum-Magnet
 SAE J845 Class I, Cal. Title 13, R10, IP55, AMECA
 3 Year

AVAILABLE COLORS (7900 SERIES)
 Amber, Blue, Clear, Green & Red



CA models = clear lens / amber illumination | CC models = clear lens / clear illumination

AVAILABLE COLORS (EB7180 / EB7185)

Amber, Clear/Amber/Amber, Clear/Amber/Clear & Clear/Clear/Clear



CAA models = clear lens / amber illumination
 CAC models = clear lens / amber and clear illumination
 CCC models = clear lens / clear illumination

Where applicable, change A in part number to available color

Minibars



5585A *REFLEX*
C Amber
V 12-24
A 5.1
 X 4 Bolt
 SAE J845 Class I, CE, R10, IP65
 3 Year

AVAILABLE COLORS

Amber, Blue, Clear, Green, Red & Amber/Clear (MG models amber illumination only)



5580A *REFLEX*
C Amber
V 12-24
A 2.7
 X 4 Bolt
 SAE J845 Class II, CE, R10, IP65
 3 Year

AVAILABLE COLORS

Amber

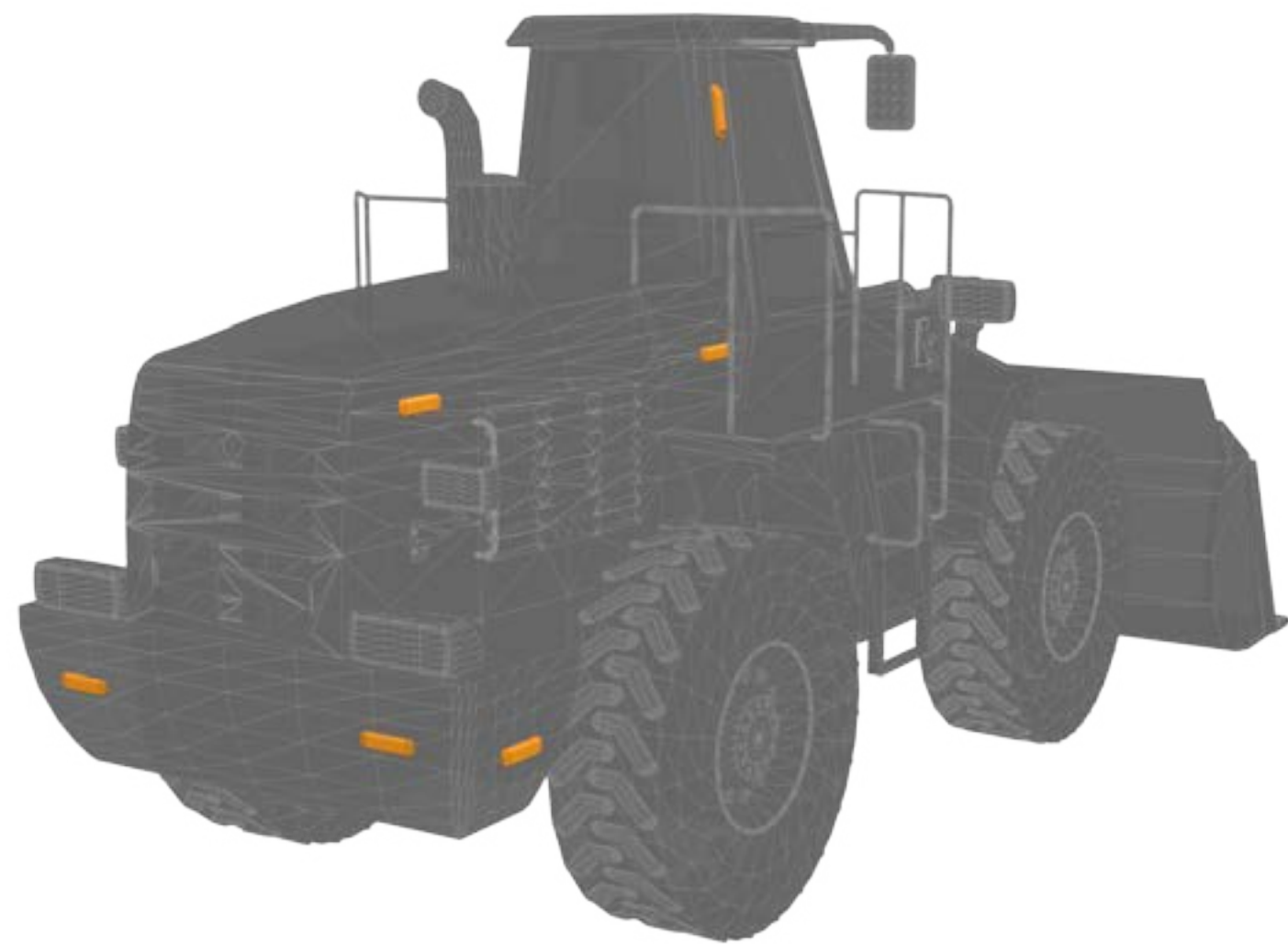


Recommended installation location

DIRECTIONAL LEDs



CONSTRUCTION SOLUTIONS



ED3701A Solid- or split-color
C Amber
V 12-24
A 0.8
X 2 Bolt
 SAE J595 Class I
 California Title 13, R65, R10
 3 Year

AVAILABLE COLORS
 Amber, Blue, Clear, Green, Red, Amber/Blue, Amber/Clear, Amber/Green, Amber/Red, Blue/Clear, Red/Blue & Red/Clear



ED3706A Solid- or split-color
C Amber
V 12-24
A 0.9
X Multi-Mount (surface, tilt bracket, self-adhesive, edge)
 SAE J595 Class I, California Title 13, R65, R10, IP67
 3 Year

AVAILABLE COLORS
 Amber, Blue, Clear, Green, Red, Amber/Blue, Amber/Clear, Amber/Green, Amber/Red, Red/Blue



3510A
C Amber
V 12-24
A 0.75
X 2 Bolt
 SAE J595 Class I
 California Title 13, CE, R10
 5 Year

AVAILABLE COLORS
 Amber, Blue, Clear, Green & Red



3811A
C Amber
V 12-24
A 0.4
X 2 Bolt
 SAE J595 Class I
 CE, R10
 3 Year

AVAILABLE COLORS
 Amber, Blue, Clear & Red



3861A
 Amber
 12-24
 0.4
 Grommet
 SAE J595 Class I
 CE, R10
 3 Year

AVAILABLE COLORS
 Amber, Blue, Clear & Red



ED3702AC Dual-color
C Amber/Clear
V 12-24
A 0.6
X 2 Bolt
 SAE J595 Class I
 California Title 13, R65, R10
 3 Year

AVAILABLE COLORS
 Amber/Blue, Amber/Clear, Amber/Green, Amber/Red, Blue/Clear, Red/Blue & Red/Clear



ED3712AC Dual-color
C Amber/Clear
V 12-24
A 0.9
X Multi-Mount (surface, tilt bracket, self-adhesive, edge)
 SAE J595 Class I, California Title 13, R65, R10
 3 Year

AVAILABLE COLORS
 Amber/Blue, Amber/Clear, Amber/Green, Amber/Red, Blue/Clear, Red/Blue & Red/Clear



9014A CHUCK-A-HEP
C Amber
T 6 LEDs
 1 Head
V 12-24
A 0.9
X 2 Bolt
 CE, R10, IP67
 2 Year

AVAILABLE COLORS
 Amber, Blue, Clear & Red



3703A / 3704A / 3705A
C Amber
V 12-24
A 0.5
X 2 Bolt
 SAE J595 Class I, R10
 3 Year

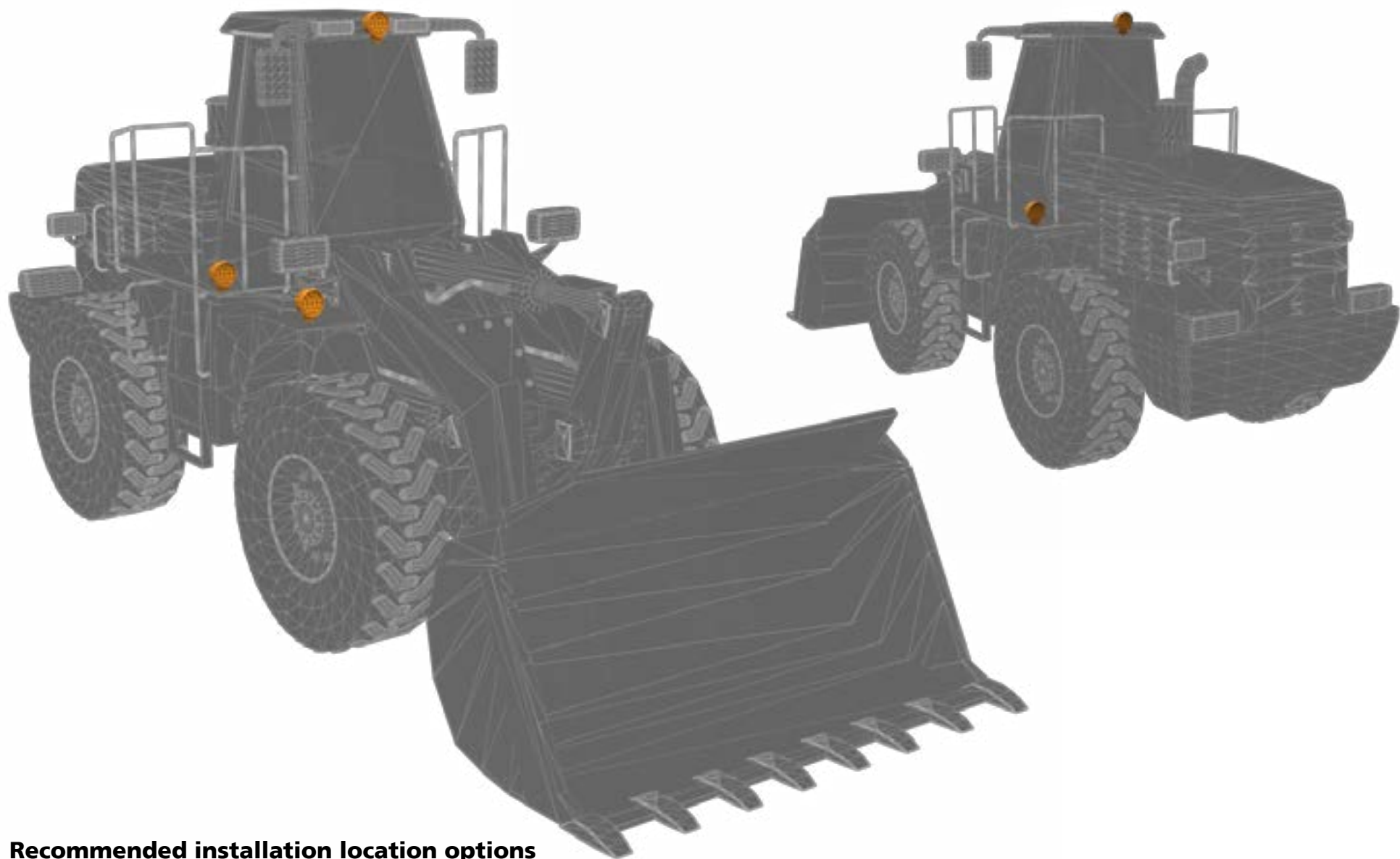
AVAILABLE COLORS
 Amber, Blue, Clear, Green & Red

Recommended installation location options

Synchronization Capable
 Where applicable, change A in part number to available color

WORKLAMPS

CONSTRUCTION SOLUTIONS



E92004
 V 12-24
 A 0.6
 L 800 Raw, 700 Effective
 Flood
 CE, R10
 2 Year



E92006
 V 12-24
 A 1.3
 L 1300 Raw, 1200 Effective
 Flood
 CE
 2 Year



E92007
 V 12-24
 A 0.7
 L 750 Raw, 700 Effective
 Flood
 CE
 2 Year



EW2450
 V 12-24
 A 2.2
 L 1300 Raw, 1100 Effective
 Spot
 CE
 3 Year



EW2451
 V 12-24
 A 2.2
 L 1300 Raw, 1100 Effective
 Flood
 CE
 3 Year



EW2411
 V 12-24
 A 1.3
 L 1000 Raw, 900 Effective
 Flood
 IP67, CE, R10
 3 Year



EW2421
 V 12-24
 A 2
 L 2400 Raw, 2200 Effective
 Flood
 IP67, CE
 3 Year



EW2431
 V 12-24
 A 3.1
 L 2600 Raw, 2100 Effective
 Flood
 IP67, CE
 3 Year



EW2461CA-NA
 C Clear / Amber
 V 12-24
 L 650 Raw, 600 Effective (clear)
 Flood
 1 Year



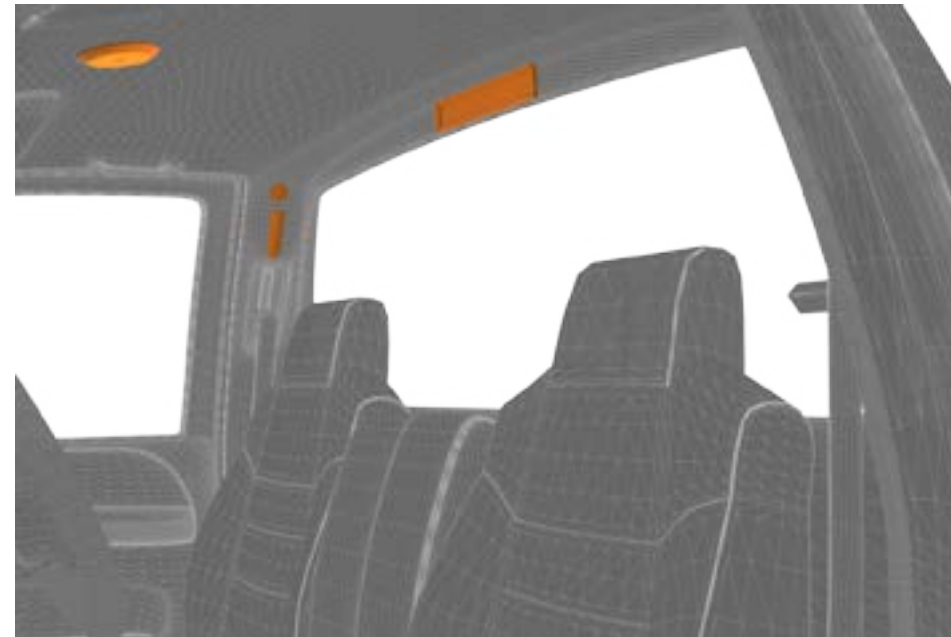
EW2102 equinox
 V 12-24
 A 2.6
 L 2000 Raw, 1600 Effective
 Flood
 CE, R10, IP67
 3 Year

Recommended installation location options

INTERIOR LIGHTING



CONSTRUCTION SOLUTIONS



Strip Lighting

12"
EW0116
 T 18 LED
 V 12
 A 0.4
 L 350 Raw, 350 Effective
 Flood
 CE, RoHS, IP65
 3 Year

24"
EW0117
 T 36 LED
 V 12
 A 0.7
 L 700 Raw, 700 Effective
 Flood
 CE, RoHS, IP65
 3 Year

ACCESSORIES
 EZ0120 PIR Motion Sensor - 110° cone, adjustable sensitivity (automatically activates light when human movement is detected)



Interior Lighting

4.5" CLEAR
EW0310
 T 4 LED
 V 12-24
 A 0.1
 L 100 Raw, 100 Effective
 Flood
 CE, RoHS
 3 Year

7" CLEAR
EW0320
 T 8 LED
 V 12-24
 A 0.1
 L 200 Raw, 200 Effective
 Flood
 CE, RoHS,
 3 Year

14" MODULAR FROST
EW0351
 T 16 LED
 V 12
 A 0.5
 L 300 Raw, 250 Effective
 Flood
 CE, RoHS
 3 Year

CONNECT MULTIPLE UNITS TOGETHER
 Multiple lengths available

5.5"
EW0200
 T 72 LED
 V 12-24
 A 0.4
 L 400 Raw, 400 Effective
 Flood Amplia
 CE, RoHS
 3 Year

5.5"
EW0400
 T 10 LED
 V 12-24
 A 0.4
 L 200 Raw, 200 Effective
 Flood
 CE, R10, RoHS, IP64
 3 Year

12"
EW0401
 T 22 LED
 V 12-24
 A 0.7
 L 450 Raw, 450 Effective
 Flood
 CE, R10, RoHS, IP64
 3 Year

13"
EW0700
 T 6 LED
 V 12-24
 A 0.5
 L 400 Raw, 350 Effective
 Flood
 CE, RoHS
 3 Year

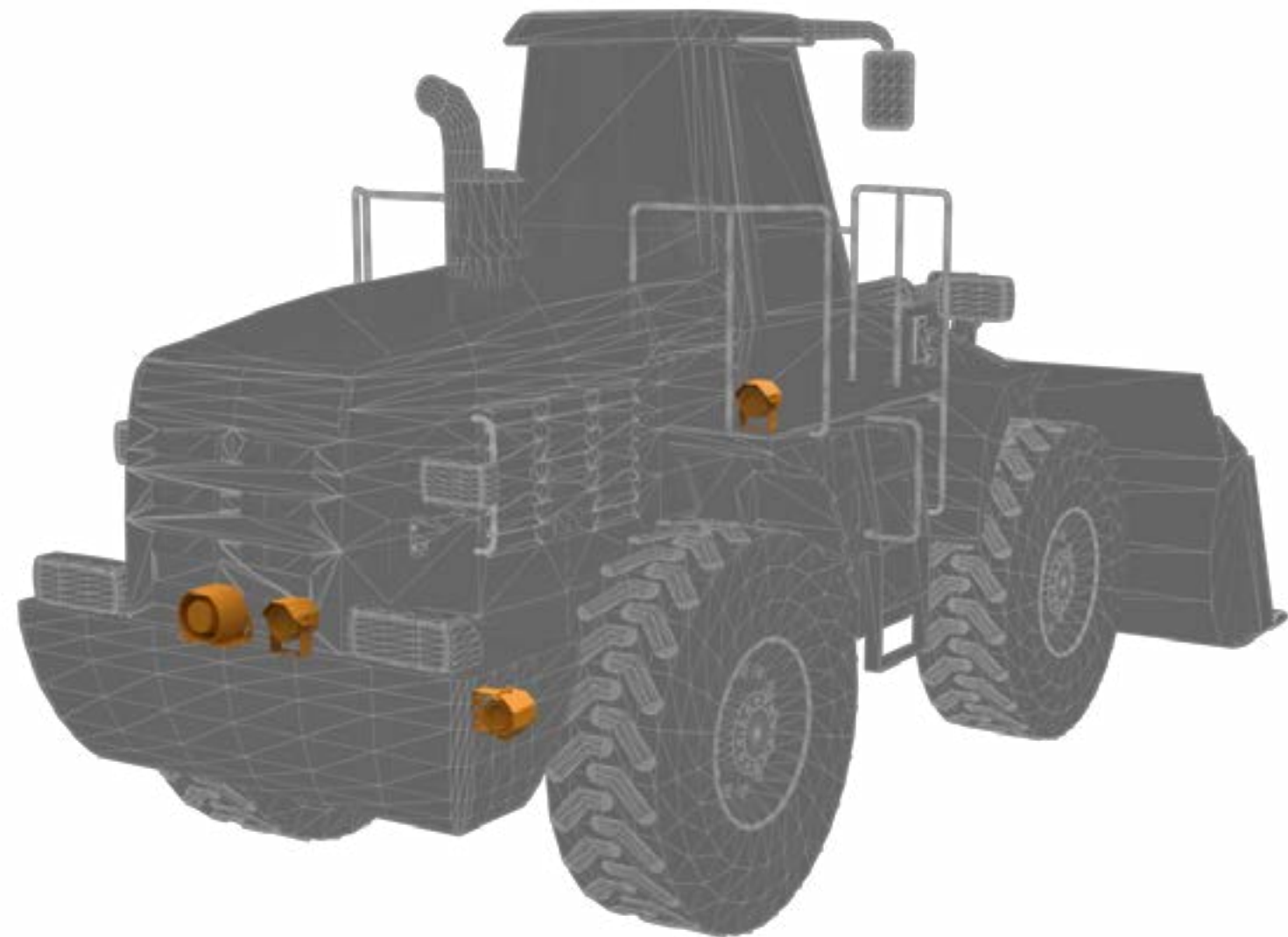
22"
EW0701
 T 12 LED
 V 12-24
 A 0.9
 L 1250 Raw, 1200 Effective
 Flood
 CE, RoHS
 3 Year

Recommended installation location options

REVERSING SAFETY



CONSTRUCTION SOLUTIONS



Recommended installation location options

Back-Up Alarms



- # 510
- T SRC*
- V 12
- dB(A) 97
- A 0.2
- X 2 Bolt
- CE, R10, UL, AMECA, IP65
- 2 Year

- # 530
- T SRC*
- V 12-24
- dB(A) 102
- A 1.0
- X 2 Bolt
- CE, R10, UL, IP65
- 2 Year

- # SA950 SMART ALARM
- V 12-24
- dB(A) 82-102
- A 0.4
- X 2 Bolt
- CE, R10, UL, IP65
- 2 Year



- # 850N
- V 12-36
- dB(A) 112
- A 1.3
- X 2 Bolt
- SAE J994 Type A, CE, R10, UL, AMECA
- ECCOLIFE™

- # SA917N SMART ALARM
- V 12-24
- dB(A) 87-112
- A 1.5
- X 2 Bolt
- SAE J994 Type F, CE, R10
- ECCOLIFE™



- # 630N
- V 12-36
- dB(A) 107
- A 1.2
- X 2 Bolt
- SAE J994 Type B, CE, R10, UL, AMECA
- ECCOLIFE™

- # SA901N SMART ALARM
- V 12-24
- dB(A) 82-107
- A 0.3
- X 2 Bolt
- CE, R10, UL, IP64
- ECCOLIFE™

Multi-Frequency Alarms



- # EA5200
- V 12-24
- dB(A) 97
- A 1.0
- X 2 Bolt
- SAE J994 Type C, CE, R10, AMECA
- 2 Year



- # EA9724 MULTI-FREQUENCY SMART ALARM
- V 12-24
- dB(A) 77-97
- A 0.7
- X 2 Bolt
- SAE J994 Type F, CE, R10, IP64
- ECCOLIFE™

Camera Systems



- EC5603-K Gemina
- 5.6" LCD color system
- Touchscreen menu control
- CMOS 11 LED infrared camera
- Includes monitor sunshade
- Three camera expandable
- One year warranty



- K7000B Gemina
- 7" LCD color system
- CMOS 18 LED infrared camera
- Includes monitor sunshade
- Two camera expandable
- One year warranty



- EC7003-K Gemina
- 7" LCD color system
- Touchscreen menu control
- CMOS 11 LED infrared camera
- Includes monitor sunshade
- Three camera expandable
- One year warranty



Worldwide leader in
commercial and emergency
vehicle warning and safety products

www.eccosafetygroup.com



833 West Diamond Street, Boise, Idaho 83705
(800) 635-5900 | sales@eccolink.com | www.eccolink.com

A Division of ESG | www.eccosafetygroup.com



© 2016 Electronic Controls Company
CONSTRUCTIONBROCHURE (1016 - Digital)